

# User manual

FX100

Professional Android device



# Table of contents

## Contents

|   |           |
|---|-----------|
| <b>1. Copyright .....</b>                         | <b>3</b>  |
| <b>2. Trademarks .....</b>                        | <b>3</b>  |
| <b>3. Warnings and safety notices .....</b>       | <b>4</b>  |
| <b>4. Limitation of liability .....</b>           | <b>4</b>  |
| <b>5. About this manual .....</b>                 | <b>5</b>  |
| <b>6. Device layout .....</b>                     | <b>6</b>  |
| 6.1 Overview .....                                | 6         |
| 6.2 Back view .....                               | 6         |
| 6.3 Soft keys and buttons .....                   | 7         |
| <b>7. Package contents .....</b>                  | <b>8</b>  |
| <b>8. Getting started .....</b>                   | <b>10</b> |
| 8.1 How to switch the device ON or OFF .....      | 10        |
| 8.2 Home screen and synchronization .....         | 11        |
| 8.3 LED colors .....                              | 12        |
| 8.4 How to access the dashboard .....             | 13        |
| 8.5 How to find your device's serial number ..... | 14        |
| 8.6 How to charge the device .....                | 15        |
| 8.7 How to change the battery .....               | 16        |
| 8.8 How to use the battery .....                  | 17        |
| 8.9 How to read an NFC card .....                 | 17        |
| 8.10 About the SIM slots .....                    | 18        |
| <b>9. Technical specifications .....</b>          | <b>19</b> |
| <b>10. Warranty information .....</b>             | <b>20</b> |
| <b>11. Safety and general information .....</b>   | <b>21</b> |

# 1. Copyright

Copyright ©2016 FAMOCO. All rights reserved.

This manual is protected under international copyright laws.

No part of this manual may be reproduced, distributed, translated, or transmitted in any form or by any means, electronic or mechanical, including photocopying, recording, or storing in any information storage and retrieval system, without the prior written permission of FAMOCO.

We reserve the right to make modifications on print errors or update specifications without prior notice.

# 2. Trademarks

- FAMOCO and the FAMOCO logo are registered trademarks of FAMOCO.
- The Android logo is the trademark of Google, Inc.
- Bluetooth® is a registered trademark of Bluetooth SIG, Inc. worldwide.
- Wi-Fi® and the Wi-Fi logo are registered trademarks of the Wi-Fi Alliance.
- All other trademarks and copyrights are the property of their respective owners.

FAMOCO SAS

59 avenue Victor Hugo, 75116 Paris – FRANCE

[contact@famoco.com](mailto:contact@famoco.com)

[www.famoco.com](http://www.famoco.com)

### **3. Warnings and safety notices**

Please read all the safety notices before using this device. Do not use the device near fuel or chemicals or in any prescribed area such as service stations and refineries. Do not transport or store flammable gas, liquid or explosives in the same compartment of your vehicle as your device and accessories.

### **4. Limitation of liability**

FAMOCO shall not be liable for any loss of profits or indirect, special, incidental or consequential damages resulting from or arising out of or in connection with using this product, whether or not FAMOCO had been advised, knew or should have known the possibility of such damages. The user should refer to the enclosed warranty card for full warranty and service information.

## 5. About this manual

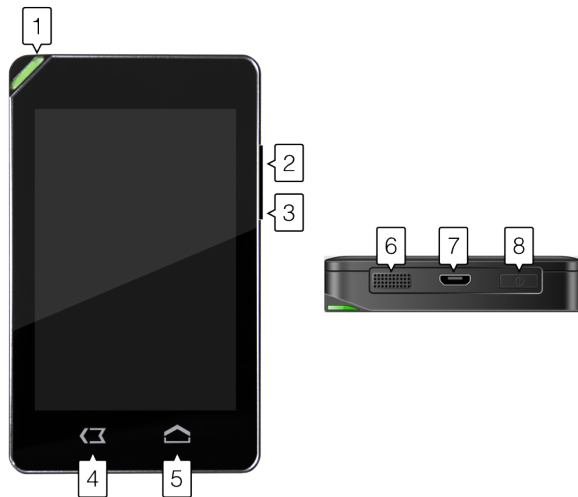
Congratulations on becoming an owner of FAMOCO FX100+ device. This user manual is specially designed to detail the device's functions and features.

Please read this manual before using the device to ensure safe and correct use.

- Descriptions are based on the device's default settings.
- Images and screenshots may differ in appearance from the actual product.
- Content may differ from the final product, or from software provided by service providers or carriers, and is subject to change without prior notice.
- Available features and additional services may vary by device, software, or service provider.
- Applications and their functions may vary by country, region, or hardware specifications. FAMOCO is not liable for performance issues caused by applications from any provider other than FAMOCO.
- FAMOCO is not liable for performance issues or incompatibilities caused by edited registry settings or modified operating system software. Attempting to customize the operating system may cause the device or applications to work incorrectly.

## 6. Device layout

### 6.1 Overview



- 1 Indicator light (red / green)
- 2 Volume up
- 3 Volume down
- 4 Soft key: Back
- 5 Soft key: Home
- 6 Speaker
- 7 Micro USB port
- 8 Power button

### 6.2 Back view



- 1 Rear camera
- 2 NFC antenna
- 3 Label
- 4 Microphone
- 5 Lanyard

### 6.3 Soft keys and buttons

| Name                          | Function   |
|-------------------------------|--|
| <b>Power button</b>           | Long press: turn the device ON/OFF<br>Short press: screen ON/OFF (standby mode)              |
| <b>Volume up &amp; down</b>   | Press to turn the volume up or down  |
| <b>Home screen (soft key)</b> | Tap to return to the home screen   |
| <b>Back (soft key)</b>        | Tap to return to the previous screen   |
| <b>Micro USB port</b>         | Connect the device to a USB power source   |
| <b>Indicator light</b>        | Turn red to indicate when the device is charging and green when full charge level is reached |

## 7. Package contents

Check the product box for the following items:



1 Device



1 Battery



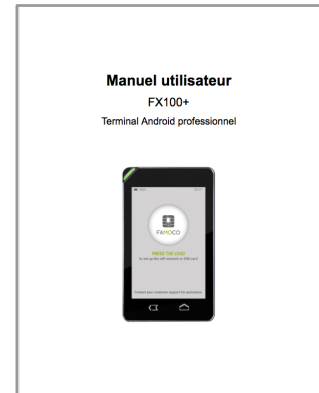
1 USB Wall Charger



1 USB cable



1 Lanyard



1 User manual



Note:

- The items supplied with the device and any available accessories may vary depending on the region or service provider.
- The supplied items are designed only for this device and may not be compatible with other devices.
- Appearances and specifications are subject to change without prior notice.
- Third party accessories may not be compatible with your device.

## 8. Getting started

### 8.1 How to switch the device ON or OFF



1 Power button

#### **To power ON:**

Press and hold the power button for three seconds then release. The home screen will be displayed after a few moments.

#### **To power OFF:**

Press and hold the power button for two seconds, then select the shutdown option on screen.

#### **Standby mode:**

The device enters the standby mode after 30 seconds if left alone. Press Power button once to switch back on.

## 8.2 Home screen and synchronization

Once your device is switched on it will start synchronizing.

If there are no applications installed on it yet, the device will be locked on a screen that shows the following indication to configure the internet connection:

If there is no connection, the following screen will appear:



To set up your device you need connectivity so that it can synchronize. Please install a SIM card, set up Wi-Fi or contact your customer support.

If the synchronization is in progress, please wait until it is complete.

If the synchronization is complete but no applications have been installed, or if the synchronization has been aborted, please contact your customer support.

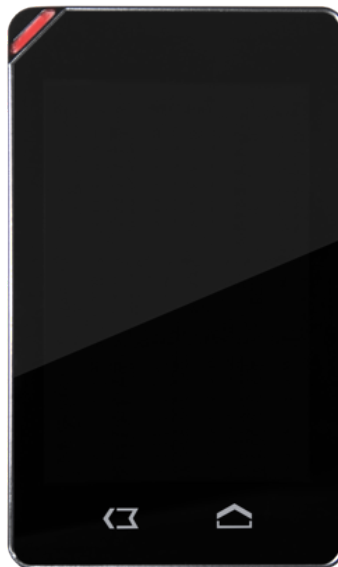
### 8.3 LED colors

The LED on the device can show different colors.

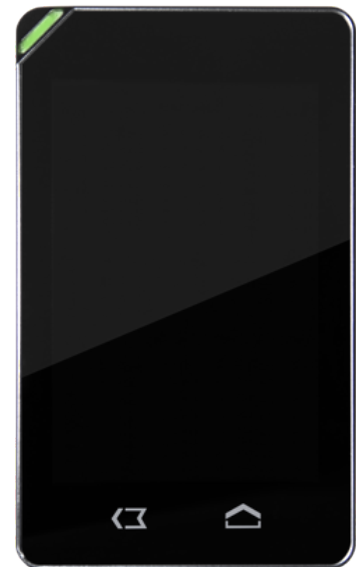
Those colors are defined by the application but there are default features: If there is connection, one of the following screens will appear (depending on the synchronization status):



**Blinking red**  
Low battery



**Red**  
Battery charging



**Green**  
Battery charged

## 8.4 How to access the dashboard

When your device is switched on you can access the dashboard by pressing the volume up button for three seconds. In the dashboard, you will find:



- Battery level
- Time
- Serial number
- Connectivity
- Brightness (that you can modify)
- Sound level (that you can modify)

## 8.5 How to find your device's serial number

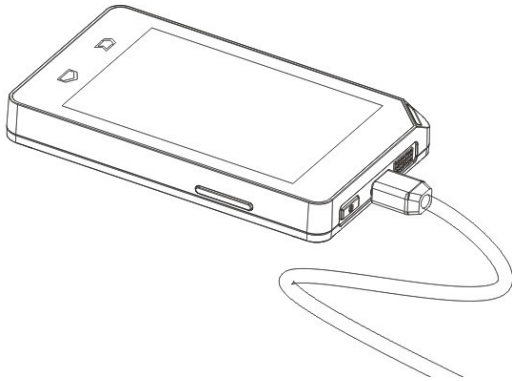
There are two ways of finding the serial number:

- Press the volume up button to access the dashboard. The serial number is written in the dashboard.

Or:

- Open your device and remove the battery (see 8.6 for more information). The serial number is written on the device under the battery.

## 8.6 How to charge the device



To charge the device, only use the AC charger and micro USB cable supplied:

1. Insert the charger cable carefully. Check that the plug and socket are aligned.
2. The indicator light will turn red to indicate when the device is charging and will turn green when full charge level is reached.
3. The battery will reach full charge in 5 hours.

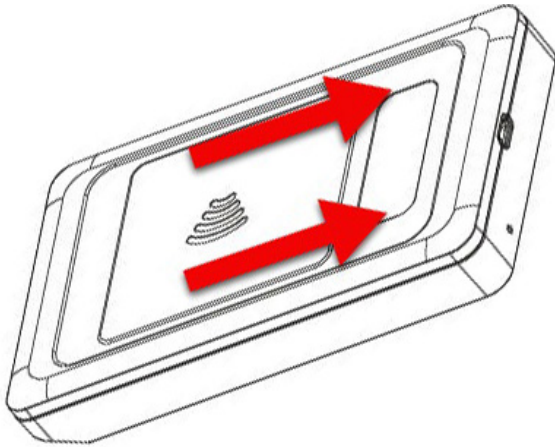
The device can also be charged by connecting it to a computer using the micro USB cable supplied.



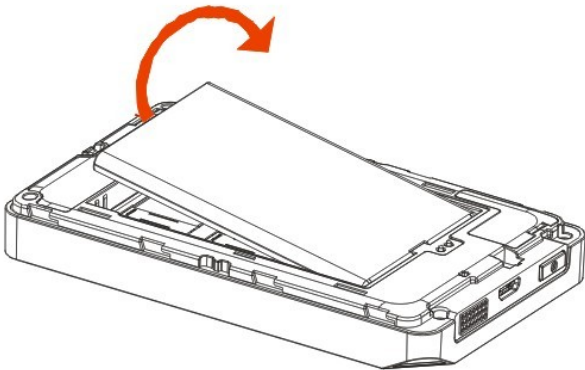
Connecting the charger improperly may cause serious damage to the device. Any damage caused by misuse is not covered by the warranty.

## 8.7 How to change the battery

1. Press two thumbs against the back cover and push in the direction shown below to remove the cover. Do not bend or twist the back cover excessively. Doing so may damage the cover.



2. Remove the battery.



3. Insert the new battery with the contacts located against the gold springs (with label up).
4. Press the battery down into the case.
5. To replace the back cover, reverse step 1 and push gently to close.



## 8.8 How to use the battery

Charge the battery promptly when flat. Do not leave the battery in a discharged state.

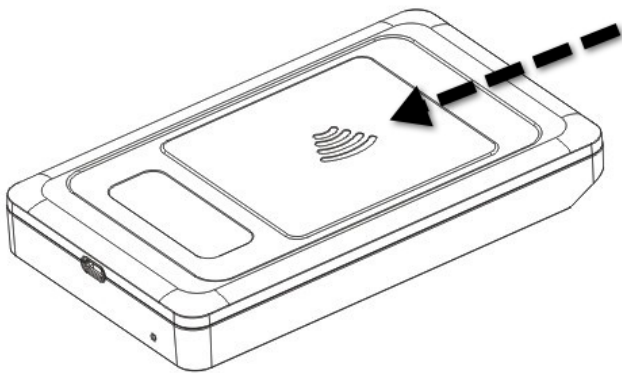
Keep your device and battery cool. High temperatures degrade the battery more quickly. The battery will not charge when over 45°C.

Do not leave on charge for more than 10 hours.

When not using the device for long periods, charge to approximately 40% and remove the battery.

## 8.9 How to read an NFC card

To read an NFC card, flip the device over and bring the card near the NFC logo in the back of the device.

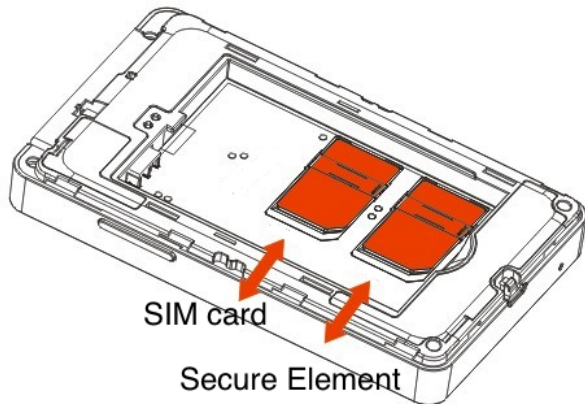


The NFC performance of the device is less than 4 cm when reading an NFC card.

The device can read/write full Mifare ultralight/1K/4K, Mifare Desfire, NFC forum tags 1,2,3,4

## 8.10 About the SIM slots

There are two SIM slots at the back of the device. The first one is for SIM card, and the second one for external Secure Element.



Do not attempt to remove any of the installed cards.  
In case of any operational problem, contact your administrator.

## 9. Technical specifications

|                        |                        |  |
|------------------------|------------------------|--|
| <b>Processor</b>       | Type                   | Quad core  |
|                        | Speed                  | 1.3 GHz  |
| <b>OS</b>              |                        | Secure Android (6.x)   |
| <b>Memory</b>          | RAM                    | 1GB  |
|                        | ROM                    | 8GB  |
| <b>Display</b>         | Characteristics        | HVGA 320x480 pixels<br>True colors – 3,5”                    |
|                        | Capacitive Touch Panel | Yes  |
| <b>Secure Elements</b> | Embedded SE            | Internal SE  |
|                        | Removable SE           | SIM SWP slot (UICC)  |
| <b>NFC</b>             | Operating modes        | Reader/writer/peer-to-peer<br>Card emulation (ISO 14443-A/B) |
|                        | Type of tags supported | NFC Forum 1,2,3,4<br>MIFARE, Desfire                         |
| <b>Connectivity</b>    | 2G/GPRS/EDGE           | 850/900/1800/1900 MHz  |
|                        | 3G                     | 900/2100 MHz   |
|                        | Wi-Fi                  | Optional, 802.11 b/g/n                                       |
|                        | Bluetooth              | 4.0  |
| <b>Camera</b>          |                        | 2 MP   |
| <b>Speaker</b>         |                        | Yes  |
| <b>Microphone</b>      |                        | Yes  |
| <b>Accelerometer</b>   |                        | Yes  |
| <b>Gyroscope</b>       |                        | Yes  |
| <b>Size</b>            | L x W x H              | 104 x 63 x 13.6 mm   |
| <b>Weight</b>          |                        | 121 g  |
| <b>Battery</b>         |                        | 1400 mAh   |
| <b>Power supply</b>    |                        | Micro USB  |

## **10. Warranty information**

The warranty does not apply to defects or errors in the product caused by:

1. Normal wear and tear, misuse, mishandling, and physical damage.
2. Exposure to water or any other liquids or solvents.
3. Any unauthorized disassembly, repair or modification.
4. Power surges, lightning, fire, flood or other natural events.
5. Use with unauthorized third-party products such as generic chargers.
6. Any other cause beyond the range of normal usage for products.
7. The end user shall have no right to reject, return, or receive a refund for any product under the above-mentioned situations, not excluding your statutory rights under national law.

## 11. Safety and general information

The device contains delicate electronic circuitry, magnets and battery systems. You should treat it with care and pay attention to the following points:

- Handle the device with care. Do not drop or throw the device. Do not immerse it in any liquid.
- Do not place the device near computer disks, credit cards, and other magnetic media. The information contained on disks or cards may be erased or damaged.
- Do not leave the device or battery in direct sunlight or near other heat sources where temperatures could exceed 45°C.
- Keep the device and all accessories away from children.
- In the unlikely event of a battery leakage, avoid contact with eyes or skin. In the event of contact, rinse with water and consult a doctor.
- Observe and obey warning signs at petrol stations, airports and hospitals.
- The operation of some medical electronic devices, such as hearing aids and pacemakers, may be affected by the device.
- Take care not to allow metal objects such as coins or keys to come into contact with the battery terminals.
- Do not dispose of batteries in a fire.
- Do not throw used batteries into household rubbish, return them to a recycling point.

- When the battery is thrown away cover the terminals with insulating tape.
- Be careful not to pierce the battery with sharp objects and do not use damaged batteries.
- Do not disassemble or modify the battery.
- Stop using the battery if abnormal heat, smell, discoloration, deformation, or abnormal condition is detected during use, charge, or storage.
- Do not put the battery in your mouth.
- Only use original replacement batteries.
- Do not connect the device to non-genuine or 3rd party chargers.
- Do not attempt to dismantle the device or any of its accessories.
- Do not put the device into a microwave oven, dryer, or high-pressure container.
- Do not use the device immediately after a sudden temperature change e.g. from an air-conditioned environment to high temperature and humidity outside. In such cases there could be condensing moisture inside the device, which can cause internal damage. Switch off and leave for 30 minutes before use.
- Do not use the device where blasting is in progress.
- Do not leave the device at the bottom of a bag where it may be damaged by sharp objects.
- Take care when the device is in your pocket.

- Sitting down or sharp objects may damage the device.
- At high volume, prolonged listening to audio devices can cause hearing loss.
- Do not leave the device discharged or disconnected for long periods of time; your personal data may be lost and your battery life will be reduced.
- Under poor network conditions battery life is considerably reduced.
- Please recycle the packaging and all parts.
- Emergency service coverage is dependent on network availability and battery status.
- It is always good practice to switch off the device regularly.
- Do not expose the device to oils or solvents.
- It is normal for the device to become warm while the battery is being charged.
- Any changes or modifications not expressly approved by the party responsible for compliance could void the user's authority to operate the equipment.

The information & images in this guide are valid at the publication of the guide. Changes to this information & images can be done without prior notice.







famoco